

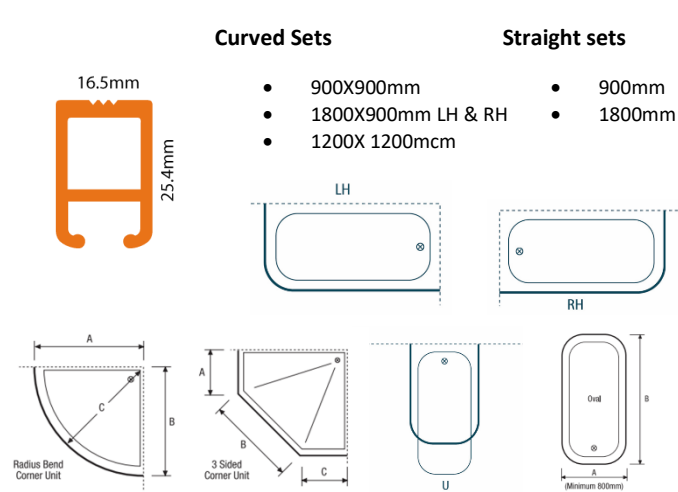
Mactrac Shower Track System

Technical Data Sheet (TDS)

Product Description

The Mactrac shower track system is a premium quality and well-proven application for showers in commercial or residential use. The Mactrac System uses extruded aluminium SC2 tracks with a structural rectangular hollow section with lipped glide channel below for a smooth glide. All tracks and fittings are available in powder coated Arctic White or Anodised Satin Silver track with Electro Natural Silver powder coated brackets. The thickness of the aluminium is a minimum of 2.1mm on the sidewalls and fixing walls to promote long life. The track can be fixed direct by brackets to the ceiling or suspended using the hanger tube system. Mactrac Pro can be bent to a 300mm radius and fabricated to a large variety of configurations and custom sizes.

Track Profile







Properties

- Track Profile:** 16.5mm x 25.4mm, available up to 6m lengths
- Track Thickness:** 2.1mm
- Standard Radius:** 300mm
- Glides:** Standard NRS9 polyethylene glide with Acetyl Hook, NRS1 glide with Stainless steel hook available on request
- Colour options:** Arctic White, Anodised Satin Silver with Electro Natural Silver powder coated brackets
Other colours available on request
- Compatible with** All SC2 fittings, anti-ligature, and quick-clip systems.
No more than 1500mm spacing between fixing points is advised



Shower Curtain Tracks

<p>Brackets:</p> <p>We have a range of Brackets; wall, end, and swivel brackets to ensure that the track can be installed and work as expected in the most demanding of situations. Our Wall and End brackets retain the last glide and hook ensuring that the curtain stays close to the wall. Brackets are either zinc die cast or aluminium with a powder coat finish.</p>	
<p>Suspended track, ceiling fixing:</p> <p>Tracks are often suspended from the ceilings to allow air circulation and to reduce curtain fabric costs. The Mactrac hanger tube system provides a solution that can be tailored for a range of individual situations. Standard support is 600mm. Tracks can also be directly fitted to the ceiling.</p>	
<p>Anti-ligature</p> <p>Mactrac offers two magnet-based systems. The fuse system is triggered when a weight more than 10kgs is placed on the associated curtain. In the magnetic-fix system, the track detaches from the bracket after a 20kg weight is placed on the track. In both systems the systems can be rehung by simply putting the magnets back together.</p>	
<p>Fastenings</p> <p>All shower tracks are supplied with stainless steel screws.</p>	



NRS9



NRS1