

MEASUREMENT SHEET COMPOUND BEND

PLAN VIEW - STAIR RUNS "CLOCKWISE GOING UP"

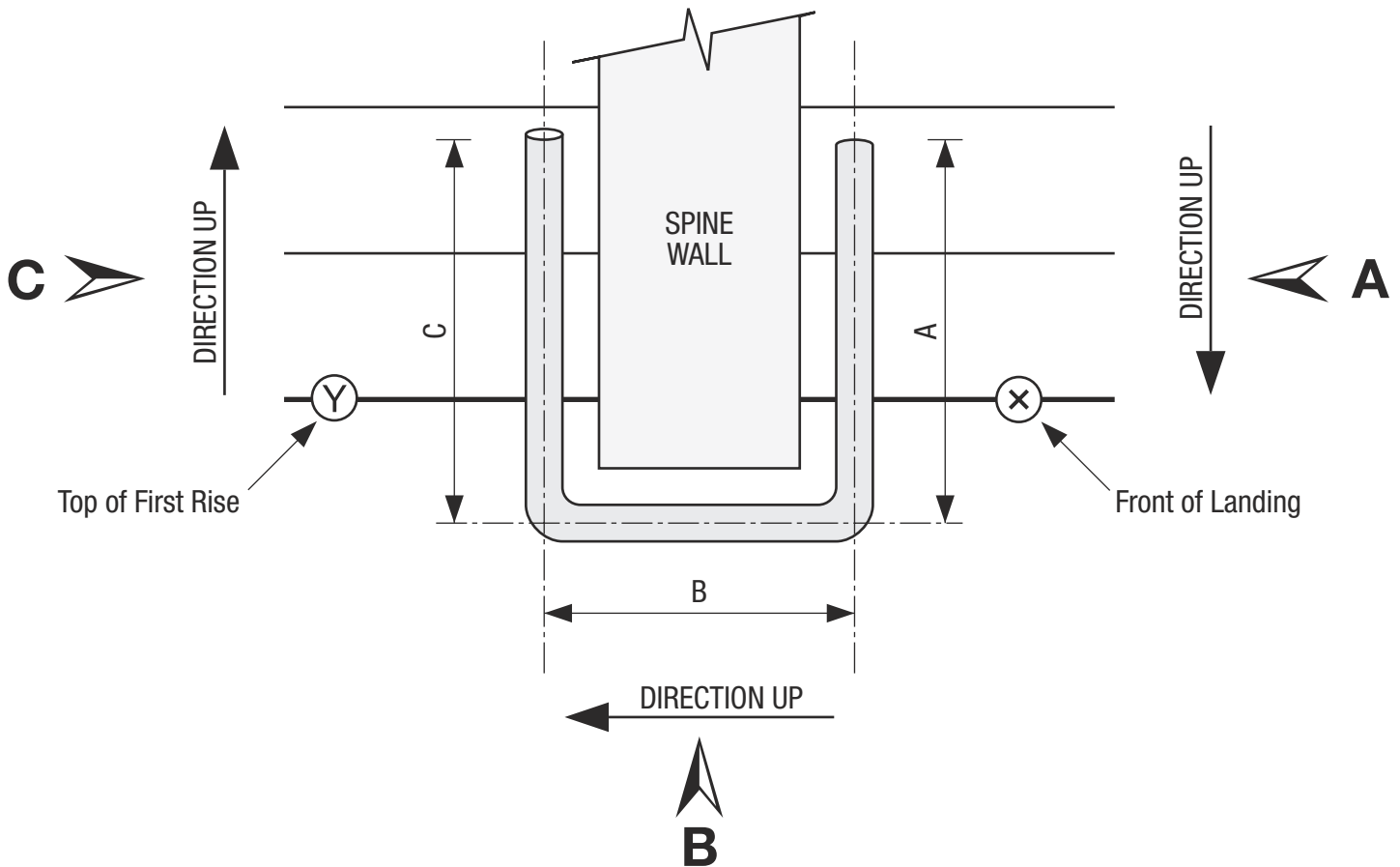
TETRAL INFORMATION:

Purchase Order No: Customer Code: Packing Slip No:

NOTE

Centre of rail is 75mm off the wall when using W75 brackets.
Bend tails (measurements A & C) are 220mm unless stated otherwise.

If there are any risers on the landing area please draw them accurately on the plan above



A = mm *Bend tail measurement.*
The distance from the centre of the rail at the spine wall - to end of bend.
Standard length is 220mm.

B = mm *Measurement from centre to centre of rail at spine wall end.*
Measure the width of the spine wall then add 150mm when using W75 brackets.

C = mm *Bend tail measurement.*
The distance from the centre of the rail at the spine wall - to end of bend.
Standard length is 220mm.

DISTRIBUTOR INFORMATION

CUSTOMER

ORDER NUMBER

LOCATION

MEASUREMENT SHEET COMPOUND BEND

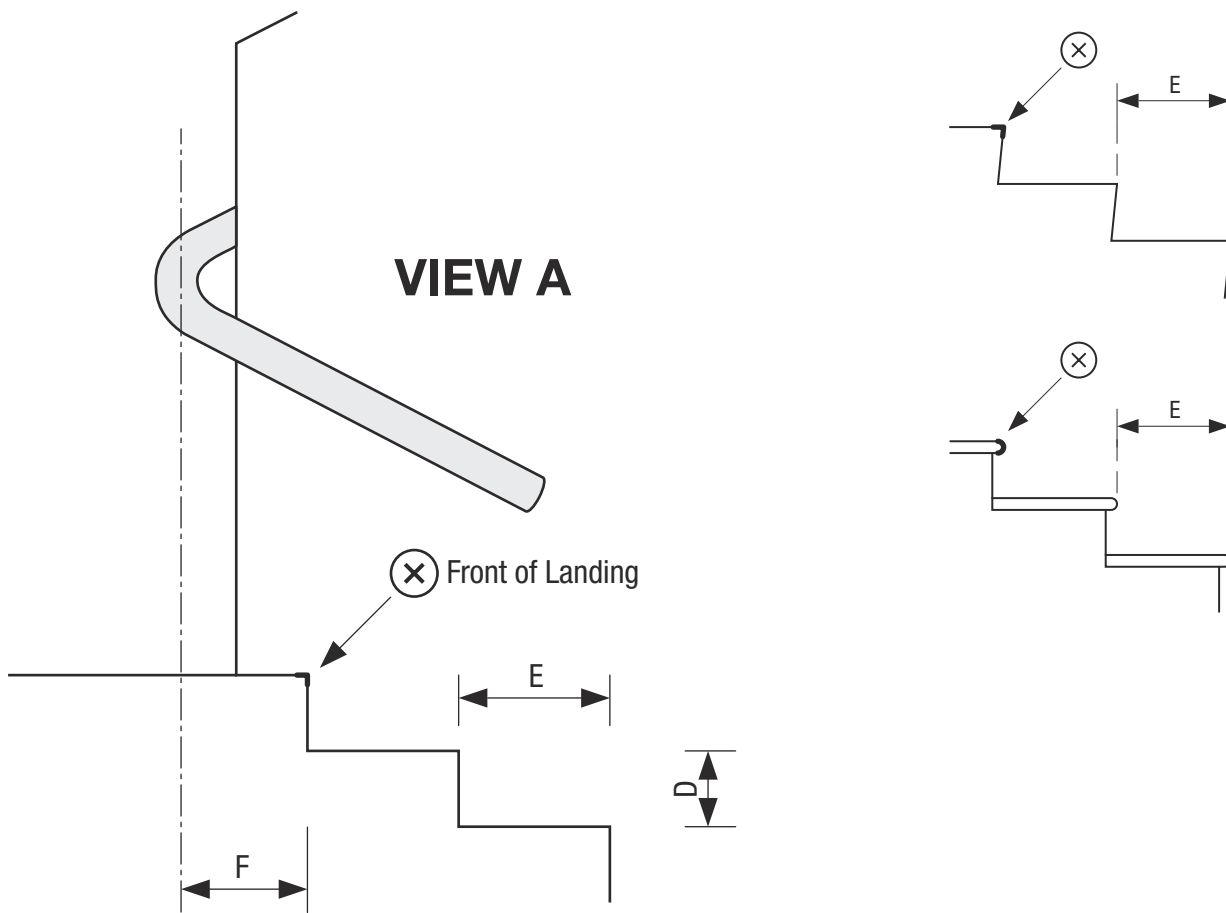
VIEW FROM SIDE A ON PLAN VIEW - STAIR RUNS "CLOCKWISE GOING UP"

TETRAL INFORMATION:

Purchase Order No: Customer Code: Packing Slip No:

NOTE

Centre of rail is 75mm off the wall when using W75 brackets.
Bend tails (measurements A & C) are 220mm unless stated otherwise.



<p>D = <input type="text"/> mm <i>Height of Rise.</i></p> <p>E = <input type="text"/> mm <i>Width of Tread Going.</i></p> <p>F = <input type="text"/> mm <i>Distance from the front of the landing (X) to the centre of the rail at the spine wall.</i></p> <p>Measure the distance from the front of the landing (X) to the end of the spine wall and add 75mm when using W75 brackets.</p>	<p>DISTRIBUTOR INFORMATION</p> <p>CUSTOMER</p> <hr/> <p>ORDER NUMBER</p> <hr/> <p>LOCATION</p> <hr/>
--	---

**MEASUREMENT SHEET
COMPOUND BEND**

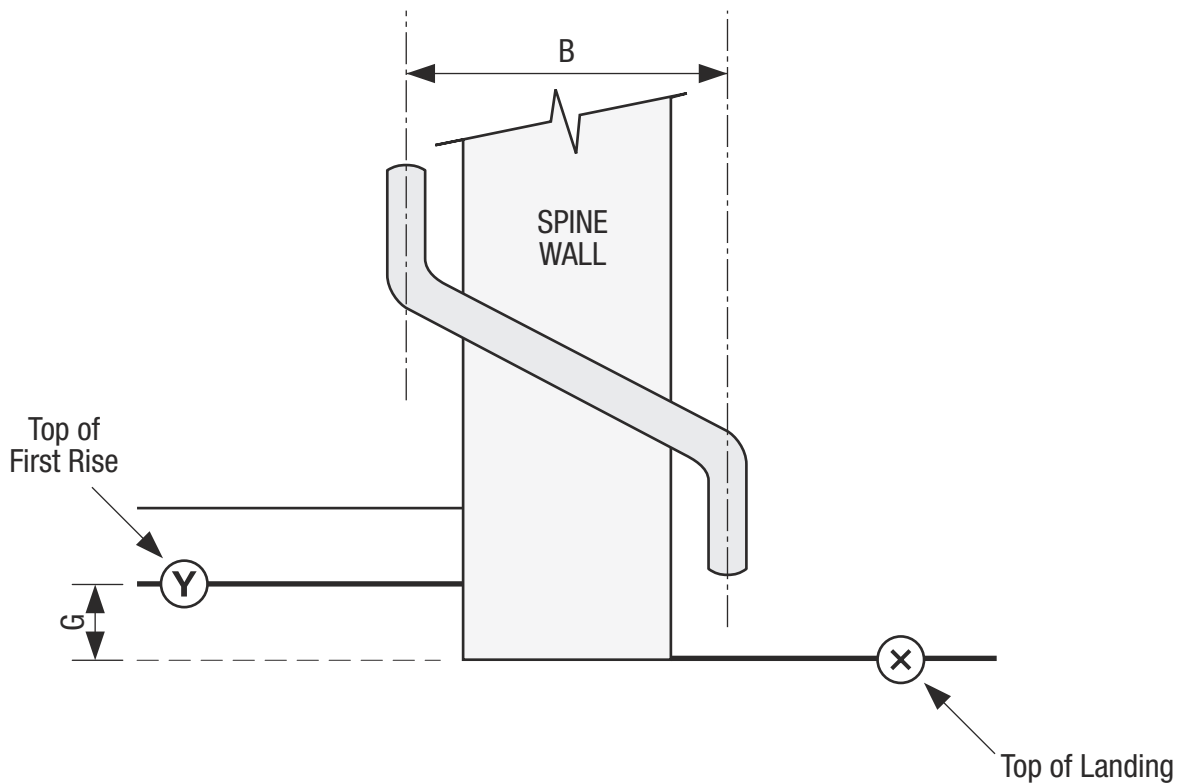
VIEW FROM SIDE C ON PLAN VIEW - STAIR RUNS "CLOCKWISE GOING UP"

TETRAL INFORMATION:

Purchase Order No: Customer Code: Packing Slip No:

NOTE

Centre of rail is 75mm off the wall when using W75 brackets.
Bend tails (measurements A & C) are 220mm unless stated otherwise.



VIEW B

B = mm *Measurement from centre to centre of rail at spine wall end.*
Measure the width of the spine wall then add 150mm when using W75 brackets.
(Same as Measurement 'B' Sheet 1)

G = mm Measure the vertical rise from the front of the landing (⊗) to the top of the first rise (⊙). This must include any risers on the landing.

DISTRIBUTOR INFORMATION

CUSTOMER

ORDER NUMBER

LOCATION

MEASUREMENT SHEET COMPOUND BEND

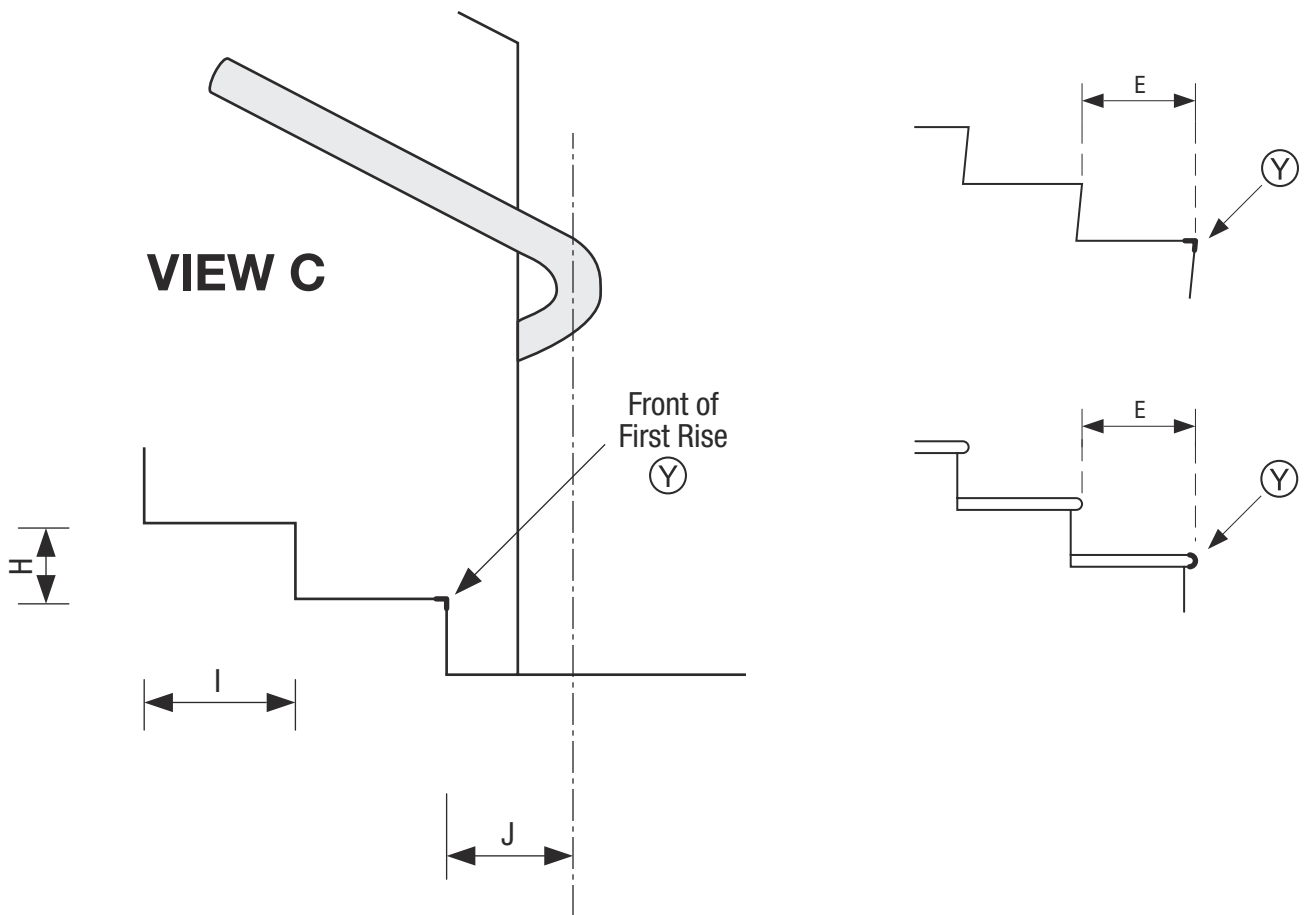
VIEW FROM SIDE B ON PLAN VIEW - STAIR RUNS "CLOCKWISE GOING UP"

TETRAL INFORMATION:

Purchase Order No: Customer Code: Packing Slip No:

NOTE

Centre of rail is 75mm off the wall when using W75 brackets.
Bend tails (measurements A & C) are 220mm unless stated otherwise.



H = mm *Height of Rise.*

I = mm *Width of Tread Going.*

J = mm *Distance from the front of the first rise (Y) to the centre of the rail at the spine wall.*

Measure the distance from the front of the first rise (Y) to the end of the spine wall and add 75mm when using W75 brackets.

DISTRIBUTOR INFORMATION

CUSTOMER _____

ORDER NUMBER _____

LOCATION _____

MEASUREMENT SHEET COMPOUND BEND

PLAN VIEW - STAIR RUNS "CLOCKWISE GOING DOWN"

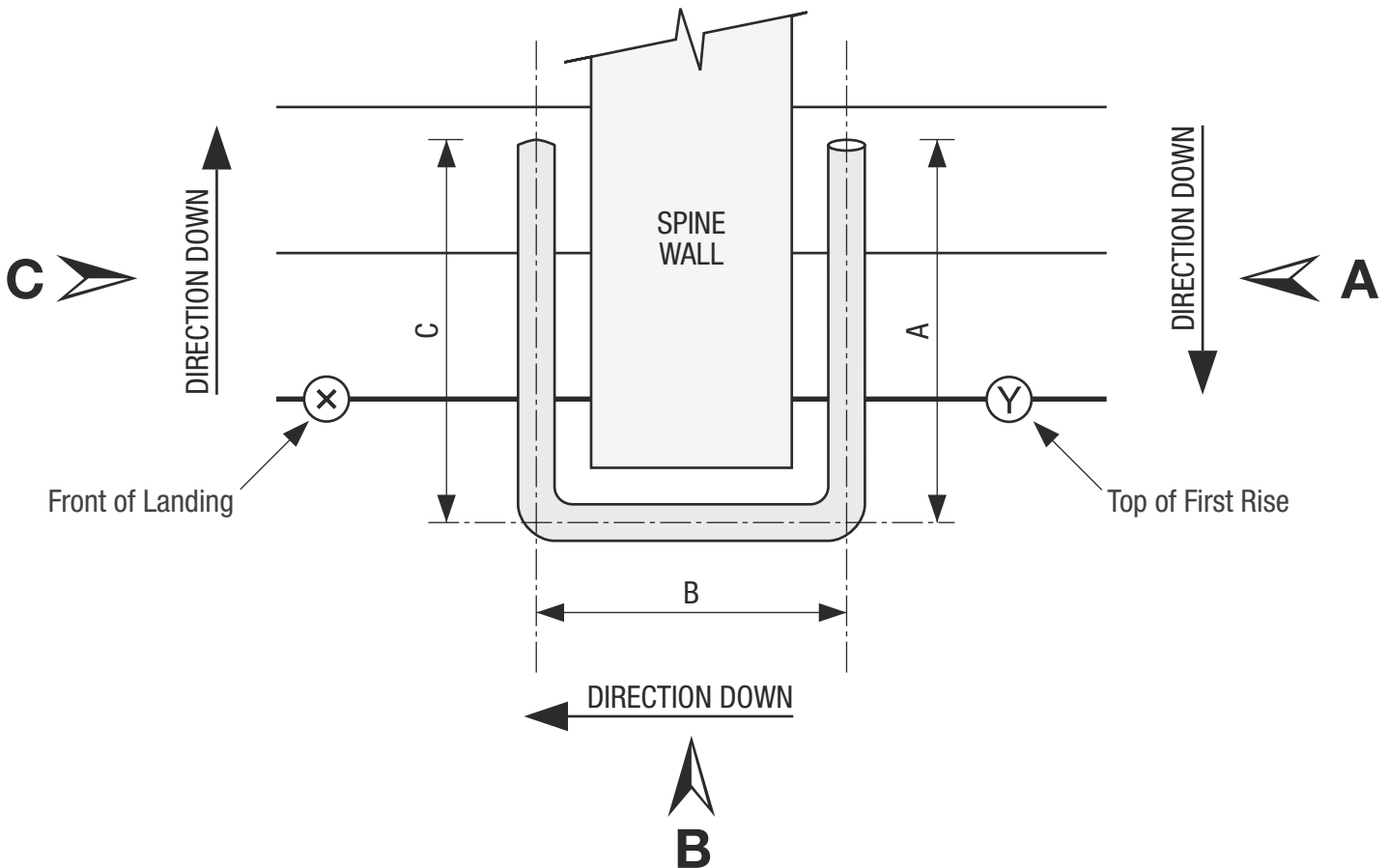
TETRAL INFORMATION:

Purchase Order No: Customer Code: Packing Slip No:

NOTE

Centre of rail is 75mm off the wall when using W75 brackets.
Bend tails (measurements A & C) are 220mm unless stated otherwise.

If there are any risers on the landing area please draw them accurately on the plan above



A = mm *Bend tail measurement.*
The distance from the centre of the rail at the spine wall - to end of bend.
Standard length is 220mm.

B = mm *Measurement from centre to centre of rail at spine wall end.*
Measure the width of the spine wall then add 150mm when using W75 brackets.

C = mm *Bend tail measurement.*
The distance from the centre of the rail at the spine wall - to end of bend.
Standard length is 220mm.

DISTRIBUTOR INFORMATION

CUSTOMER

ORDER NUMBER

LOCATION

MEASUREMENT SHEET COMPOUND BEND

VIEW FROM SIDE B ON PLAN VIEW - STAIR RUNS "CLOCKWISE GOING DOWN"

TETRAL INFORMATION:

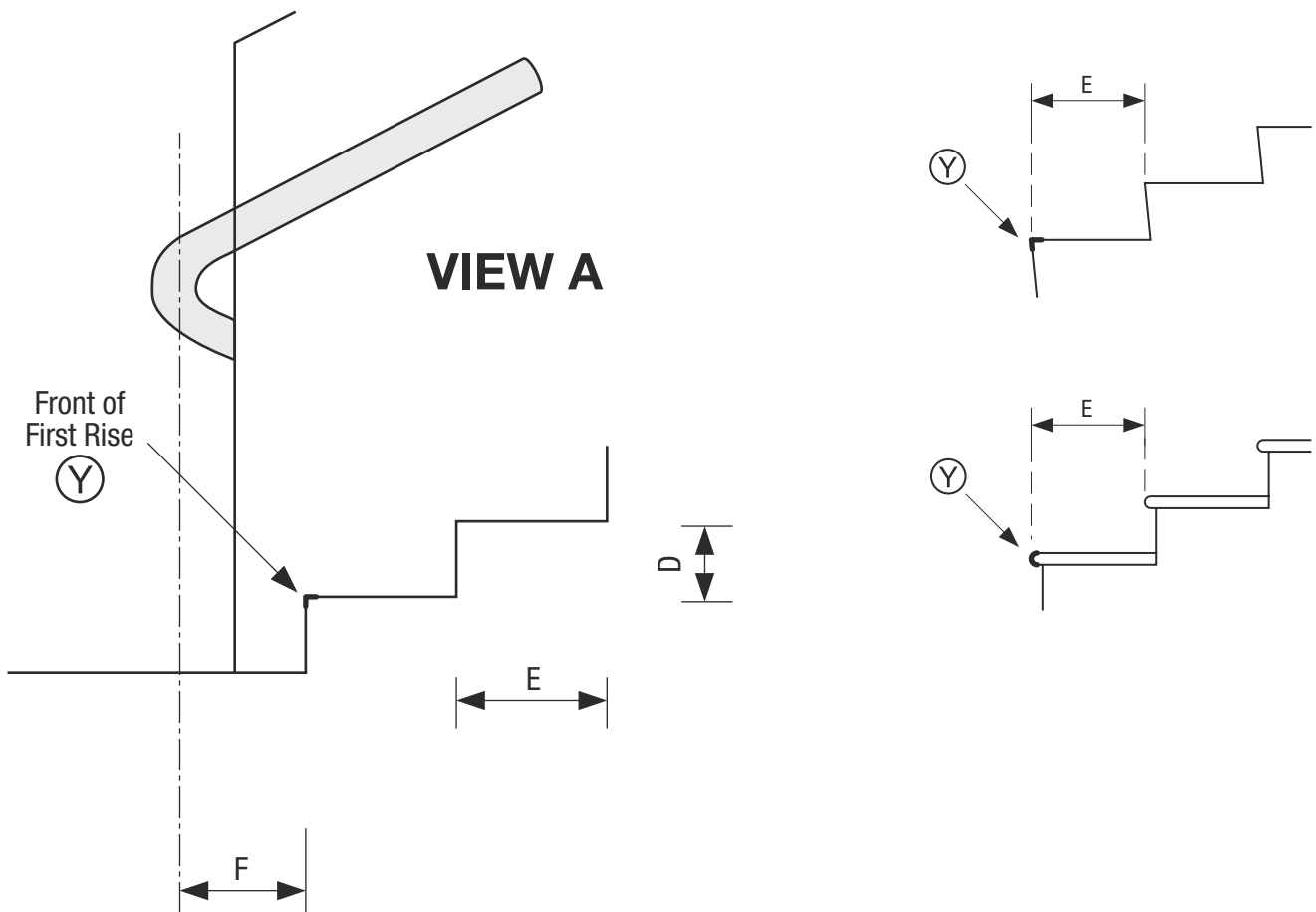
Purchase Order No:

Customer Code:

Packing Slip No:

NOTE

Centre of rail is 75mm off the wall when using W75 brackets.
Bend tails (measurements A & C) are 220mm unless stated otherwise.



D = mm *Height of Rise.*

E = mm *Width of Tread Going.*

F = mm *Distance from the front of the first rise (Y) to the centre of the rail at the spine wall.*

Measure the distance from the front of the first rise (Y) to the end of the spine wall and add 75mm when using W75 brackets.

DISTRIBUTOR INFORMATION

CUSTOMER

ORDER NUMBER

LOCATION

MEASUREMENT SHEET COMPOUND BEND

VIEW FROM SIDE B ON PLAN VIEW - STAIR RUNS "CLOCKWISE GOING DOWN"

TETRAL INFORMATION:

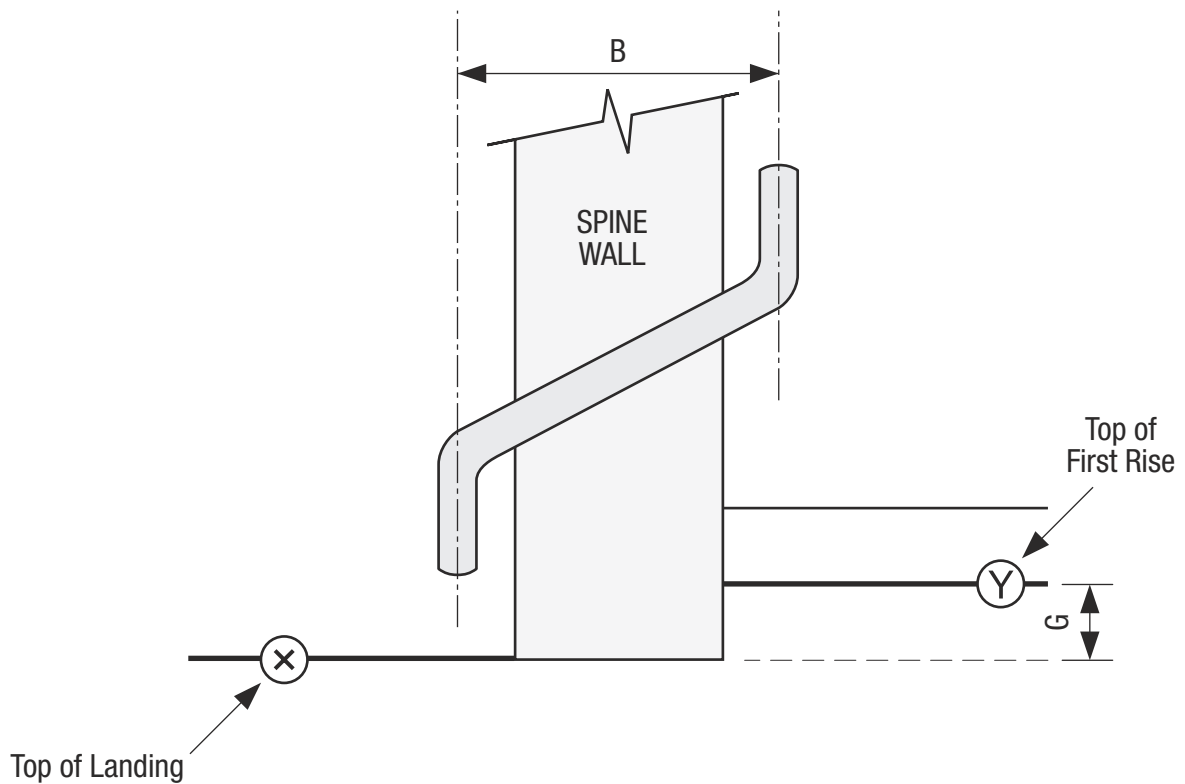
Purchase Order No:

Customer Code:

Packing Slip No:

NOTE

Centre of rail is 75mm off the wall when using W75 brackets.
Bend tails (measurements A & C) are 220mm unless stated otherwise.



VIEW B

B = mm *Measurement from centre to centre of rail at spine wall end.*
Measure the width of the spine wall then add 150mm when using W75 brackets.
(Same as Measurement 'B' Sheet 1)

G = mm *Measure the vertical rise from the front of the landing (X) to the top of the first rise (Y). This must include any risers on the landing.*

DISTRIBUTOR INFORMATION

CUSTOMER

ORDER NUMBER

LOCATION

MEASUREMENT SHEET COMPOUND BEND

VIEW FROM SIDE A ON PLAN VIEW - STAIR RUNS "CLOCKWISE GOING DOWN"

TETRAL INFORMATION:

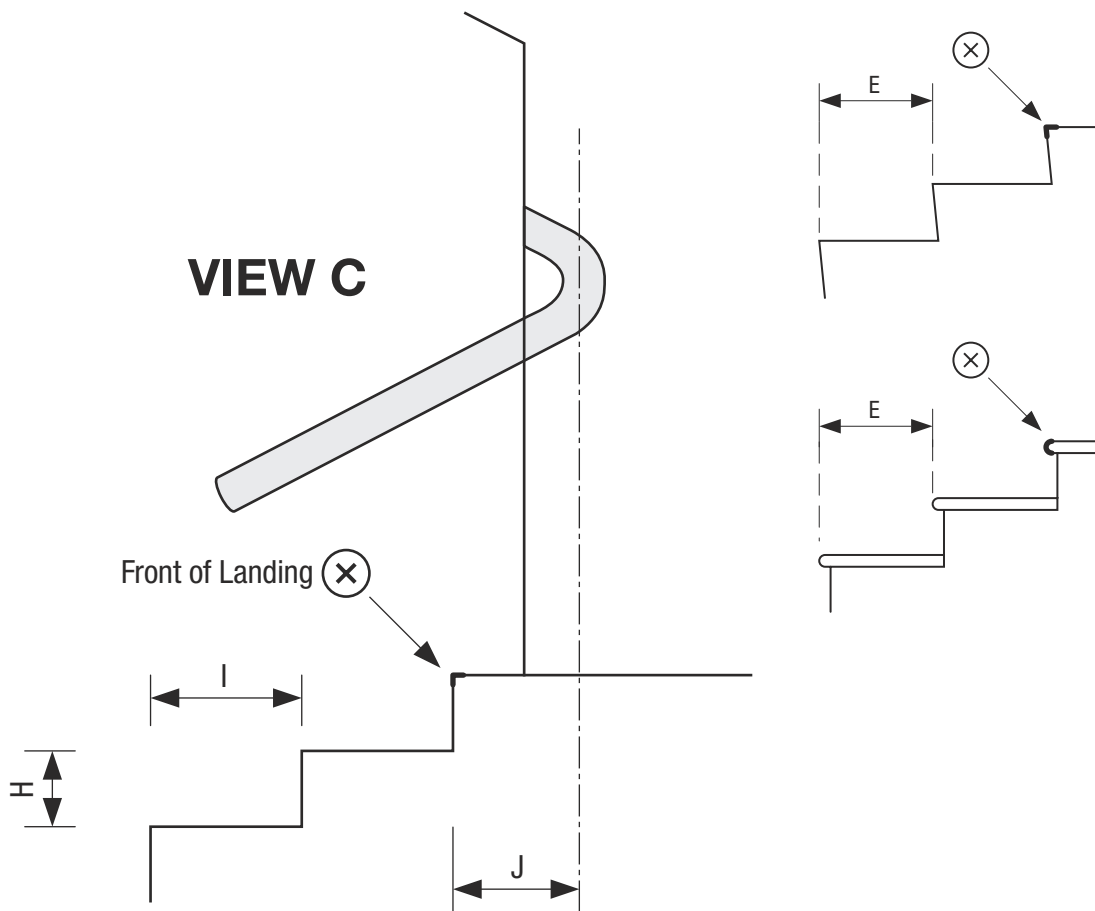
Purchase Order No:

Customer Code:

Packing Slip No:

NOTE

Centre of rail is 75mm off the wall when using W75 brackets.
Bend tails (measurements A & C) are 220mm unless stated otherwise.



H = mm *Height of Rise.*

I = mm *Width of Tread Going.*

J = mm *Distance from the front of the landing (X) to the centre of the rail at the spine wall.*

Measure the distance from the front of the landing (X) to the end of the spine wall and add 75mm when using W75 brackets.

DISTRIBUTOR INFORMATION

CUSTOMER

ORDER NUMBER

LOCATION