

R45 & R32 rail with Flexi Fit brackets

Technical Data Sheet (TDS)

Product Description

Guide R45 & R32 are a New Zealand designed and manufactured systems of aluminium rails that utilise standard componentry to provide safe, secure solutions in a wide range of applications. The Guide systems have been specifically designed to comply with all building standards including NZS4121. Guide rail is available in two diameters 45mm (R45) and 32mm (R32). When used with our brackets these provide handrails and safety rails for the use in a variety of situations, such as, corridors, on stairs, ramps, in lifts, and in shower and toilet areas.

Our rails can be used in both an indoor and outdoor setting.

Composition: Powder coated aluminium

Sizes: 0-5100mm rail

Bends: We will bend rails to meet your specifications.

Colour options: Silver Pearl, White, Flaxpod or Wood Grain. Alternate colours are on request only.

Product Features

- Powdercoated aluminium rail (on request can be anodised)
- Rust free and durable
- The rails comes in two sizes, 45mm diameter (R45) and 32mm diameter (R32).
- Flexifit technology allows the installer to position the brackets to a supporting substrate, a unique sliding bracket system allowing the fixing bracket to be moved giving the installer greater flexibility. The PVC insert on the underside of the rail seals the rail and gives a professional finish.
- Bespoke tube bends are incorporated into flexifit technology so that the handrail can give user support for the entire length of the stair case.

Product Application & Installation

- The rail can be used both indoor and outdoor settings as the rail is powdercoated or anodised. The rail and fittings will not rust provided the screws supplied are used (do not use steel screws).
- R45 rail commonly used as a handrail on stairs, corridors and building entrances
- R32 rail commonly used as a safety rail in bathrooms, lifts, and on boats
- When installing, make sure you follow the relevant building codes.
- Look at our installation document for instructions
- To clean the rail, use soapy water, or a cream cleaner. Do not use solvents
- End caps can be a powder coated metal to colour of choice, or a black or white plastic.

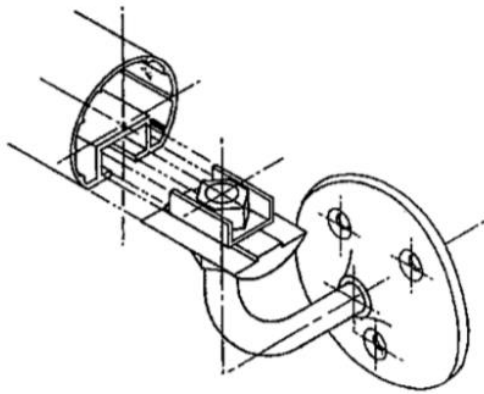
Relevant Building Code Clauses

Guide meets the following standards:

- NZBC (2011) D1 Access Routes- Second Edition
- NZBC (2007) F4 Safety from falling- Third Edition
- NZS 4121 (2001): Code of Practice for Design for Access and Use of Buildings and Facilities by Disabled Persons. Guide rail diameters meet the 32-45mm standards.
- NZS 4203 (1984): Code of Practice for General Structural Design and Design Loadings for Buildings
- AS 1428.1 (2009): Design for Access and Mobility. Part 1 – General Requirements for Access – Buildings. Dimensions of Guide handrail meet standard, while offering clear space between handrail and adjacent wall.
- AS 1657 (1992): SA Code for Fixed Platforms, Walkways, Stairways and Ladders.
- AS 1170.1 (2002): SA Loading Code Part 1. Dead and Live Loads and Load Combinations.

Product Information & Componentry

All Guide products are manufactured in Christchurch, New Zealand.







R45 rail system with W75 wall bracket



Guide W75 Bracket

For side of wall fixing, supplied complete with cap washer and stainless-steel square drive fixing screws (interior and exterior)



<p>Guide W60 Bracket For top of wall fixing, supplied complete with cap washer and stainless-steel square drive fixing screws (interior and exterior)</p>	
<p>Guide 45mm diameter Handrail High quality extrusion with a channel for adjustable brackets, supplied in lengths up to 5.1m in Flaxpod, Silver Pearl and Artic White. Other colours including Wood Grain are available on special request.</p>	
<p>Guide Bracket Cover Plate To conceal fixing screws, used as an option with both W75 and W60 brackets. Powder coated to match the bracket system.</p>	
<p>Guide End Caps There are two type of finish with the end caps.</p> <ol style="list-style-type: none"> 1) a powder coated metal to the colour of your choice 2) A plastic end cap that can come in either black or white. 	

<p>Guide PVC insert Extruded UV resistant PVC insert which provides a high grip surface under the rail, supplied in black and white.</p>	
<p>Cup bracket Supplied as standard with a rounded cup on the arm to support 32-55mm diameter tubular rail. For a flat bottom rail, a spacer is supplied on request to allow the bracket to fix securely, and invisibly.</p>	
<p>Joiner Aluminium joiner that can connect two R45 rails together</p>	

For more information on Tetral products please visit our website at www.tetral.co.nz.

Updated 31/10/2023

94 Mowbray Street, Watham, Christchurch
Ph: (03) 379-2400 Email: info@tetral.co.nz

